

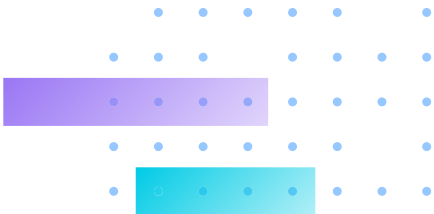
AU-002

Network Speaker Driver

SIP & UDP • 20W • PoE+ • HTTPS

- Support SIP and UDP Broadcast Protocol
- Build in 20W Power Amplifier to Drive Speaker Directly
- Powered from the Network Cable Using PoE+ IEEE 802.3at
- Remote Configuration and Firmware Upgrade by HTTPS



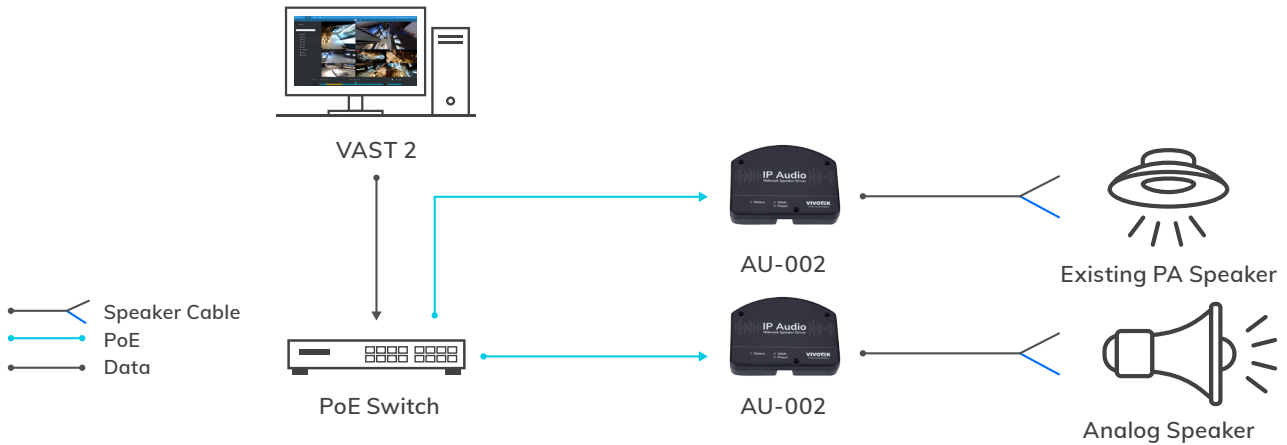


Overview

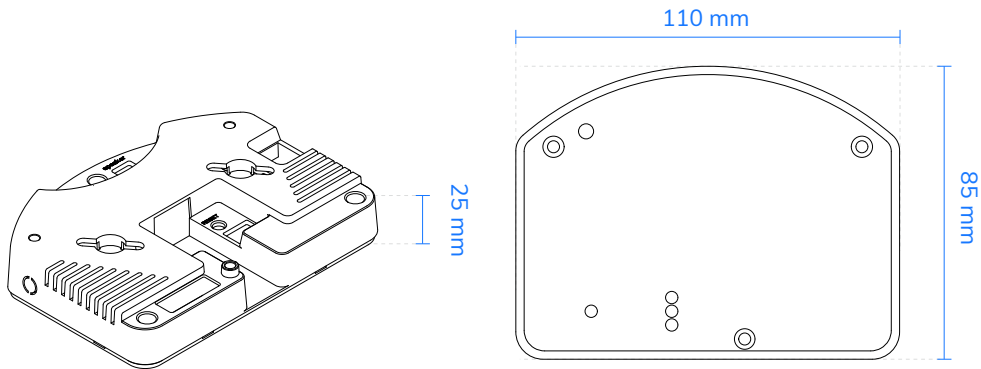
AU-002 Network Speaker Driver provides the solution to convert traditional analog speaker to network speaker. It can accept standard SIP call or multiple addressable UDP broadcast protocol supports network or Internet. This IP driver supports standard VoIP CODEC like: G.711, G.722, G.726, G.729, it 32Kx 16bit CD quality music playback function.

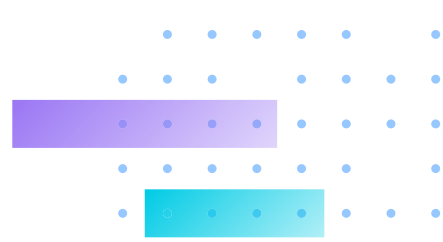
AU-002 is also compatible with VAST 2 for all the functionalities and allow users to upload their own audio clips on VAST 2 for broadcasting.

Application



Dimensions





Technical Specifications

Model	AU-002
Specification	
Driver Impedance	Lower to 3 ohm speaker totally
Average Min. power	20W
Microphone	100Hz-16KHz Single point, SPL-44 ± 2db AT 2 KΩ
LED Luminous	3 x LED display status
Network	
SIP support	RFC 3261(SIP base standard)
Interface	WAN: RJ-45x1, 10/100Mbps Fast Ethernet port
Supported Protocols	SIP, IPv4/v6, RIPv2 / OSPF, HTTPS, QoS DSCP, FTP, TFTP, SNMP v2c / v3, SNMP, IGMP, DHCP, SSHv2, PIM- DVMRP, RMON
Audio Codec	G.711 a/uLaw, G.726, G.722, G.729, iLBC, L16
Support Function	Auto provision, Audio tone testing, System log
Security	password protection, IP address filter, user access log, authentication
Integration Features on VAST 2 (License Required)	
Two-way Communication	Supported
Automatic Trigger Audio Clips	Supported
General	
Casing	Plastic
Power	PoE+ (Power over Ethernet), IEEE 802.3at
Operating conditions	-35°C ~ 60°C (-31°F ~ 140°F)
Dimensions	110x85x25 mm
Weight	115 g
Safety Certifications	CE, FCC, LVD EN62368-1
Warranty	24 months